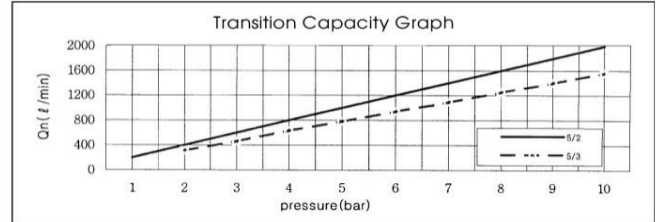


- Compact Design 23mm Body Width

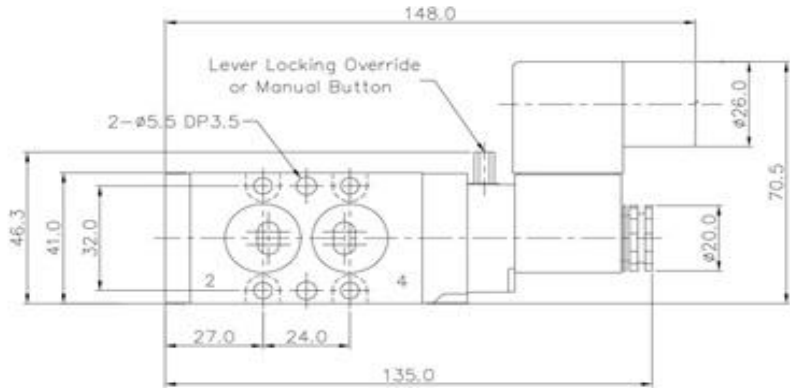
SPECIFICATION

ITEM	SERIES FUNCTION	SOLENOID, PNEUMATIC	
		5 Port 2 Position	5 Port 3 Position
Fluids		Compressed Air & Inert Gases	
Pressure(bar)		1.5~10.0	2.0~10.0
Eff. Sectional Area(mm ²)-5bar		18.0	12.0
Ambient & Fluid Temp.		5~60°C (41~140°F)	
Response Time(5bar)		30ms or Less	40ms or Less
Max. Working Frequency		5c/sec	3c/sec
Lubrication		Not Required(Use ISO VG32#)	
Manual Override		Push Button(Standard), Lever Lock(OPTION)	
Coil Insulation Class		F-Class or Equivalent	
Permissible Voltage Variation		±10% of Rated Voltage	
Off Min. Residual Voltage		AC:20% or Less / DC:10% or Less	
Power Consumption		Holding-AC:5.5VA(60Hz) / DC:2.5W	

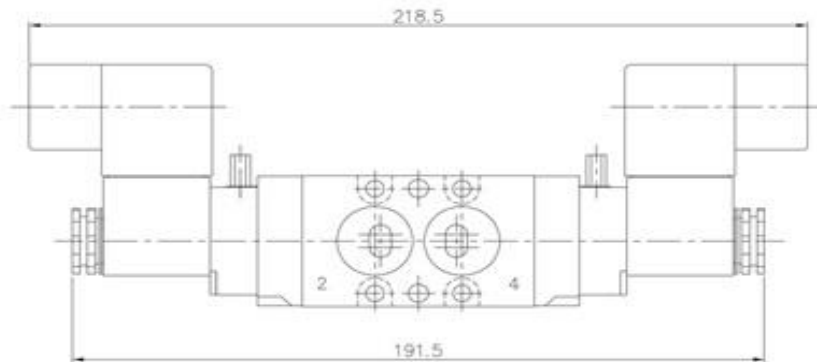


- The Material of Parts**
- Valve Body : Die-Cast Aluminium
 - Spool : Aluminium
 - Seals : NBR
 - Spring : Stainless
 - Cap : Zinc Pressure Die-Cast
 - Pilot Parts : Glass Filled Nylon
 - Armature : Stainless Steel
 - Armature Seals : Viton

ANS3101



ANS3200



COIL INFORMATION

22mm Coil

These coils with connection for 2 P+G DIN 43650B plug are encapsulated in synthetic material, conform to the IEC/CENELEC safety standards and comply with European low voltage directive 73/23/EC.

FEATURES:

- Heat resistant bobbin molded with 30% class filled thermoplastic polyester material
- Class H wire 200°C according to IEC 60317-13
- Built-in magnetic yoke made by low carbon iron
- Encapsulation with high quality specially designed glass filled nylon

Characteristics		DC			AC (50 Hz)		AC (60 Hz)	
Rated power DC	W	3	4,2	6,5				
Inrush power AC	VA				7,5	12,5	6,5	10,5
Rated power AC	VA				5	8,5	4,2	7
Coil temperature rise	°C	35	45	70	45	85	35	70
Copper temperature rise	°C	40	50	80	55	95	45	80

Available Voltages	
DC	
12	24/50-60
24	
48	
110	230/50-60

